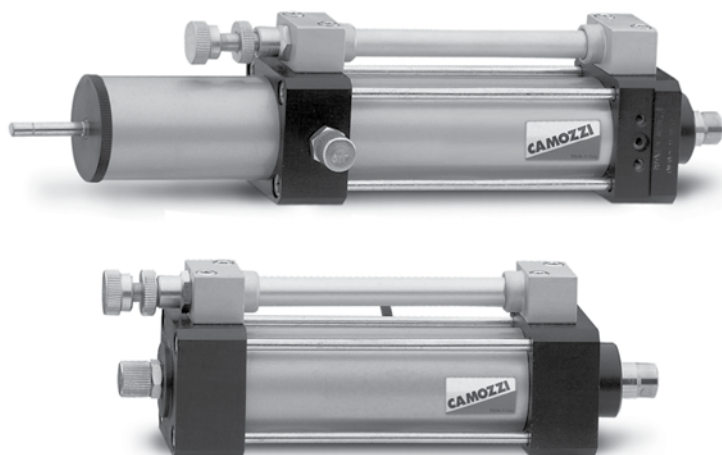


# Hydrochecks Series 43

1

Bore  $\varnothing$  40  
Regulated thrust or return stroke  
Skip-Stop function



The Series 43 hydrocheck units are available with two different types of control: regulated outward movement and fast return; or fast outward movement and regulated return. These hydrochecks come complete with an oil surge tank which ensures automatic equalization.

Speed variation is obtained by means of an incorporated flow regulator designed to allow comprehensive and constant use.

Upon request, they can be supplied with an incorporated stop valve or an acceleration valve or both.

To restore oil when the minimum level in the surge tank is reached, use oil OLIR-40 and pump Mod. 43N-PMP.

## GENERAL DATA

<b>Type of construction</b>	with tie-rods
<b>Operation</b>	regulated thrust or return stroke
<b>Controllable load</b>	max. 500 kg (including inertia or moving masses)
<b>Operating temperature</b>	-10°C +70°C
<b>Fluid</b>	special hydraulic oil (contact our engineers)
<b>Speed</b>	minimum: 14mm/min maximum: 15 m/min (in non regulated direction)
<b>Standard stroke</b>	50, 100, 150, 200 (special stroke available on request)
<b>Type of mounting</b>	feet Mod. B-40 (see B-41-40 for dimensions)
<b>Special designs</b>	with STOP or SKIP and SKIP/STOP valve

**CODING EXAMPLE**

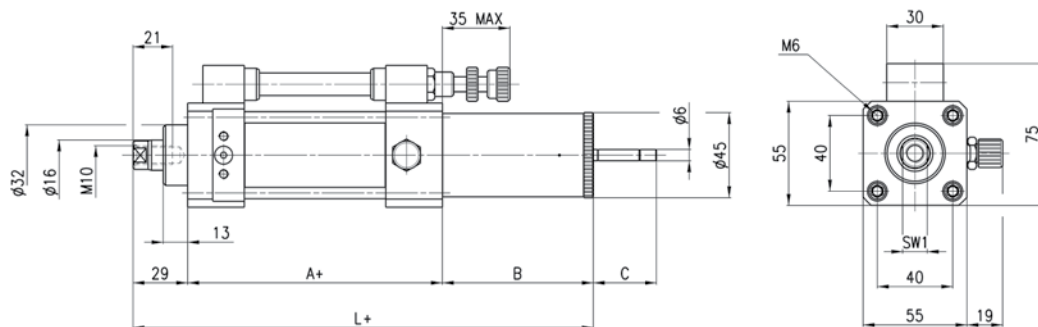
<b>43</b>	<b>N</b>	<b>-</b>	<b>P</b>	<b>S</b>	<b>O</b>	<b>-</b>	<b>40</b>	<b>-</b>	<b>200</b>
-----------	----------	----------	----------	----------	----------	----------	-----------	----------	------------

<b>43</b>	SERIES
<b>N</b>	N = standard S = special
<b>P</b>	L = tank in series P = tank parallel
<b>S</b>	S = thrust (rod return regulated) T = traction (rod thrust regulated)
<b>O</b>	A = SKIP valve B = SKIP + STOP valve V = STOP valve O = standard
<b>40</b>	BORE: 40 mm
<b>200</b>	STROKE in mm.

Hydrocheck Mod. 43N-LTO-40



+ = add the stroke



DIMENSIONS

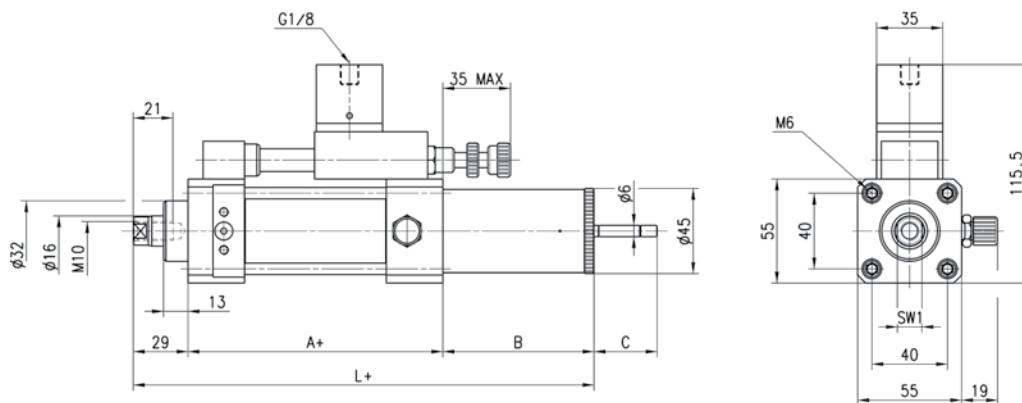
Mod.	Strokes (mm)	A+	B	C	L+	SW1
<b>43N-LTO-40</b>	50-100	85	80	32	194	13
<b>43N-LTO-40</b>	150-200	85	100	47	214	13

Hydrocheck Mod. 43N-LTA-40 and 43N-LTV-40

On request



+ = add the stroke



DIMENSIONS

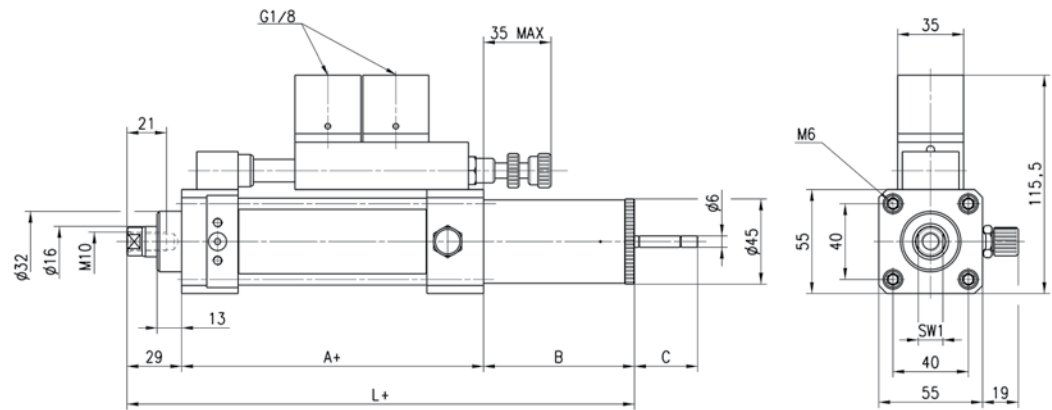
Mod.	Strokes (mm)	A+	B	C	L+	SW1
<b>43N-LTA-40</b>	50-100	85	80	32	194	13
<b>43N-LTA-40</b>	150-200	85	100	47	214	13
<b>43N-LTV-40</b>	50-100	85	80	32	194	13
<b>43N-LTV-40</b>	150-200	85	100	47	214	13

Hydrocheck Mod. 43N-LTB-40

On request



+ = add the stroke



DIMENSIONS

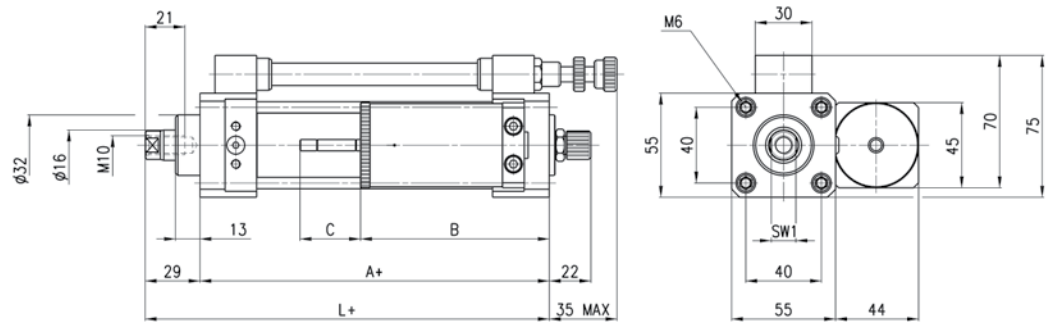
Mod.	Strokes (mm)	A+	B	C	L+	SW1
<b>43N-LTB-40</b>	50-100	85	80	32	194	13
<b>43N-LTB-40</b>	150-200	85	100	47	214	13

Hydrocheck Mod. 43N-PTO-40

On request



+ = add the stroke



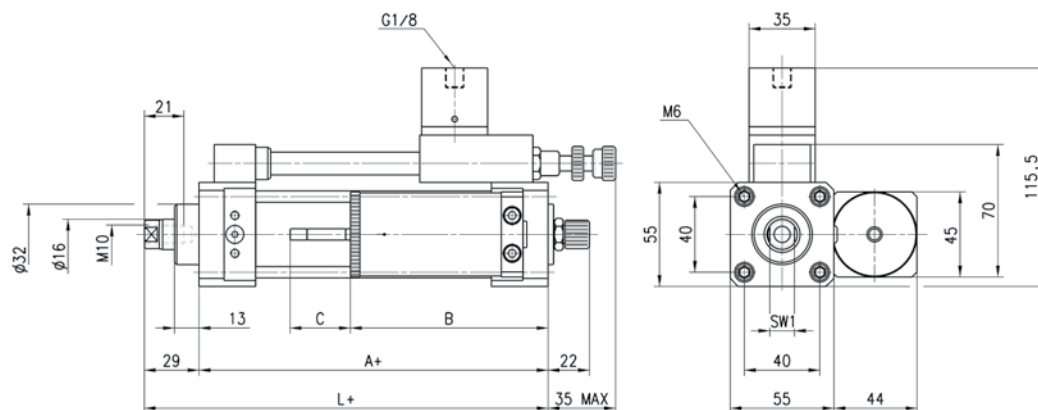
DIMENSIONS

Mod.	Strokes (mm)	A+	B	C	L+	SW1
<b>43N-PTO-40</b>	50	85	100	32	114	13
<b>43N-PTO-40</b>	100	85	105	32	114	13
<b>43N-PTO-40</b>	150-200	85	125	47	114	13

Hydrocheck Mod. 43N-PTA-40 and 43N-PTV-40



+ = add the stroke



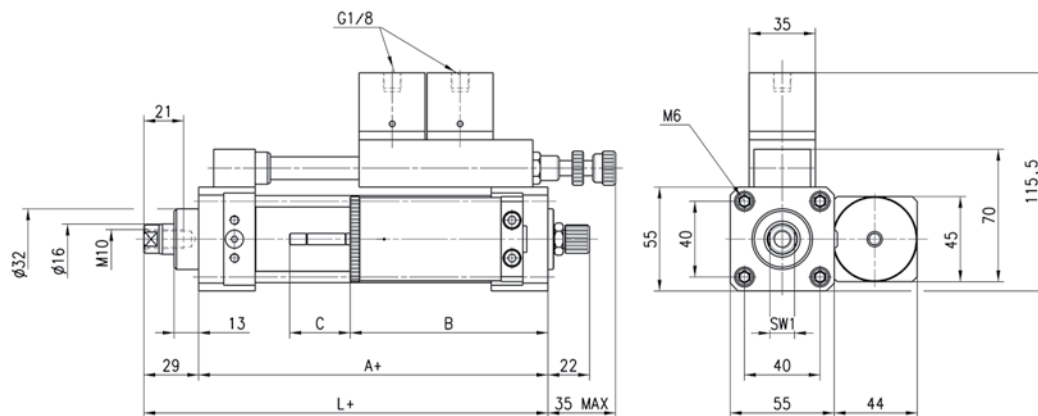
DIMENSIONS

Mod.	Strokes (mm)	A+	B	C	L+	SW1
43N-PTA-40	50	85	100	32	114	13
43N-PTA-40	100	85	105	32	114	13
43N-PTA-40	150-200	85	125	47	114	13
43N-PTV-40	50	85	100	32	114	13
43N-PTV-40	100	85	105	32	114	13
43N-PTV-40	150-200	85	125	47	114	13

Hydrocheck Mod. 43N-PTB-40



+ = add the stroke



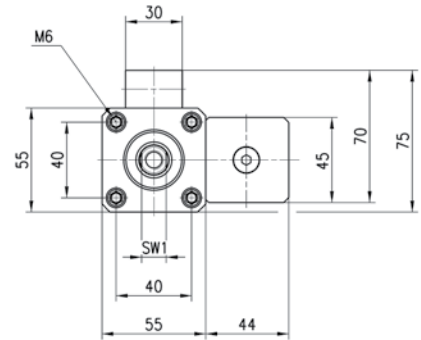
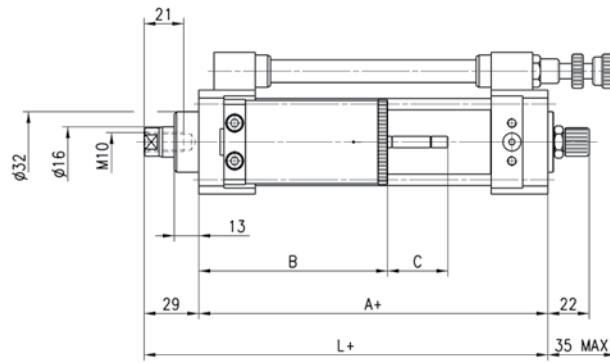
DIMENSIONS

Mod.	Strokes (mm)	A+	B	C	L+	SW1
43N-PTB-40	50	85	100	32	114	13
43N-PTB-40	100	85	105	32	114	13
43N-PTB-40	150-200	85	125	47	114	13

Hydrocheck Mod. 43N-PSO-40



+ = add the stroke



DIMENSIONS

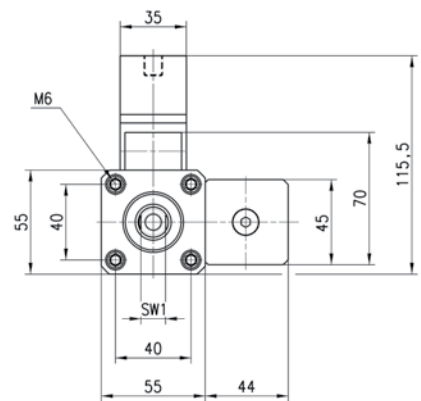
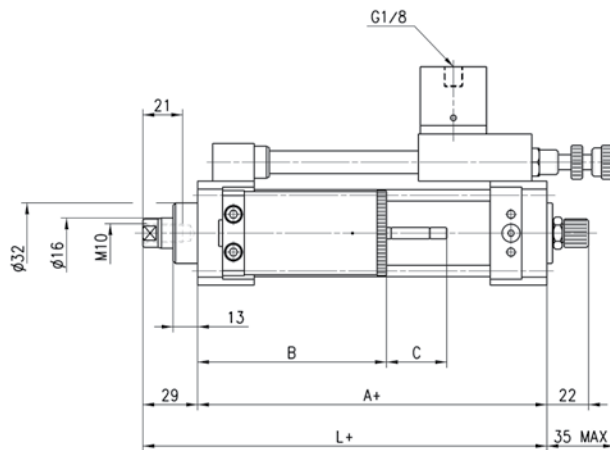
Mod.	Strokes (mm)	A+	B	C	L+	SW1
43N-PSO-40	50	85	100	32	114	13
43N-PSO-40	100	85	105	32	114	13
43N-PSO-40	150-200	85	125	47	114	13

Hydrocheck Mod. 43N-PSA-40 and 43N-PSV-40

On request



+ = add the stroke



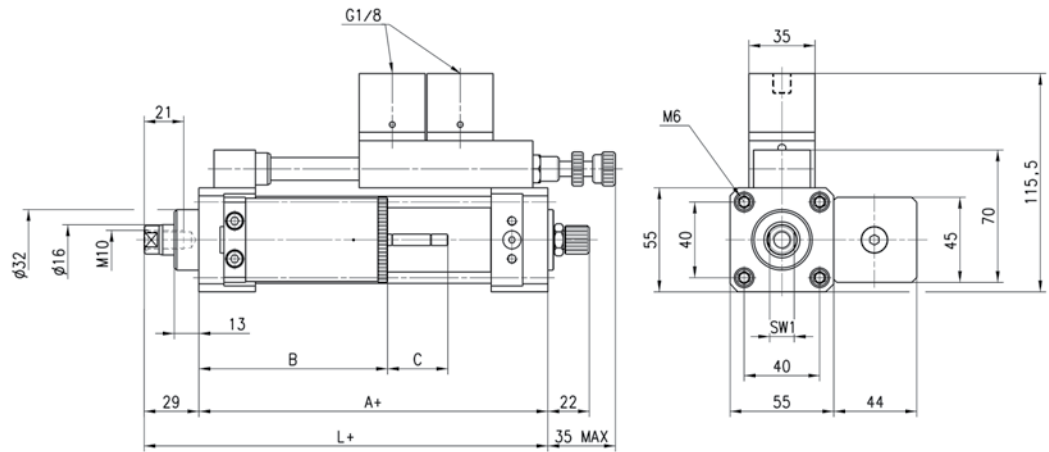
DIMENSIONS

Mod.	Strokes (mm)	A+	B	C	L+	SW1
43N-PSA-40	50	85	100	32	114	13
43N-PSV-40	50	85	100	32	114	13
43N-PSA-40	100	85	105	32	114	13
43N-PSV-40	100	85	105	32	114	13
43N-PSA-40	150-200	85	125	47	114	13
43N-PSV-40	150-200	85	125	47	114	13

Hydrocheck Mod. 43N-PSB-40



+ = add the stroke

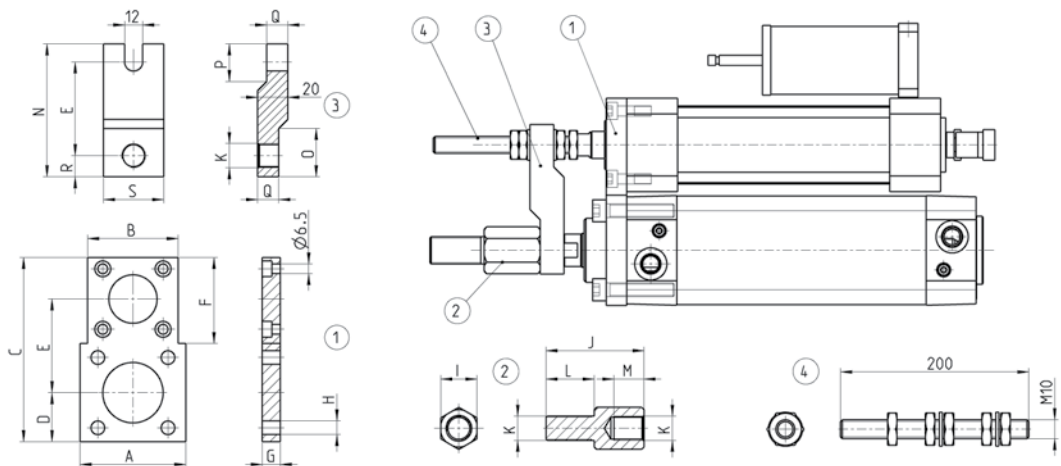


DIMENSIONS

Mod.	Strokes (mm)	A+	B	C	L+	SW1
43N-PSB-40	50	85	100	32	114	13
43N-PSB-40	100	85	105	32	114	13
43N-PSB-40	150-200	85	125	47	114	13

Mounting kit Mod. 43N-40

Hydrocheck mounting kit for cylinders Ø 40 - 50 - 63 - 80.



DIMENSIONS

Mod.	A	B	C	D	E	F	G	H	I	J	K	L	M	N	O	P	Q	R	S
43N-40-40	60	-	110	26,5	56	-	12	7	19	47	M12X1,25	24	14	80	25	25	14	12	40
43N-40-50	70	60	122	32,5	62	57	12	9	24	65	M16X1,5	32	20	88	32	25	14	14	40
43N-40-63	80	60	132	37,5	67	57	20	9	24	65	M16X1,5	32	20	93	32	25	14	14	40
43N-40-80	100	60	152	47,5	77	57	20	11	30	78	M20X1,5	40	25	107	-	-	-	18	50

1

Hydrocheck restore pump Mod. 43N-PNP

Pump for refilling hydraulic speed regulator



MOVEMENT

Mod.

**43N-PMP**